



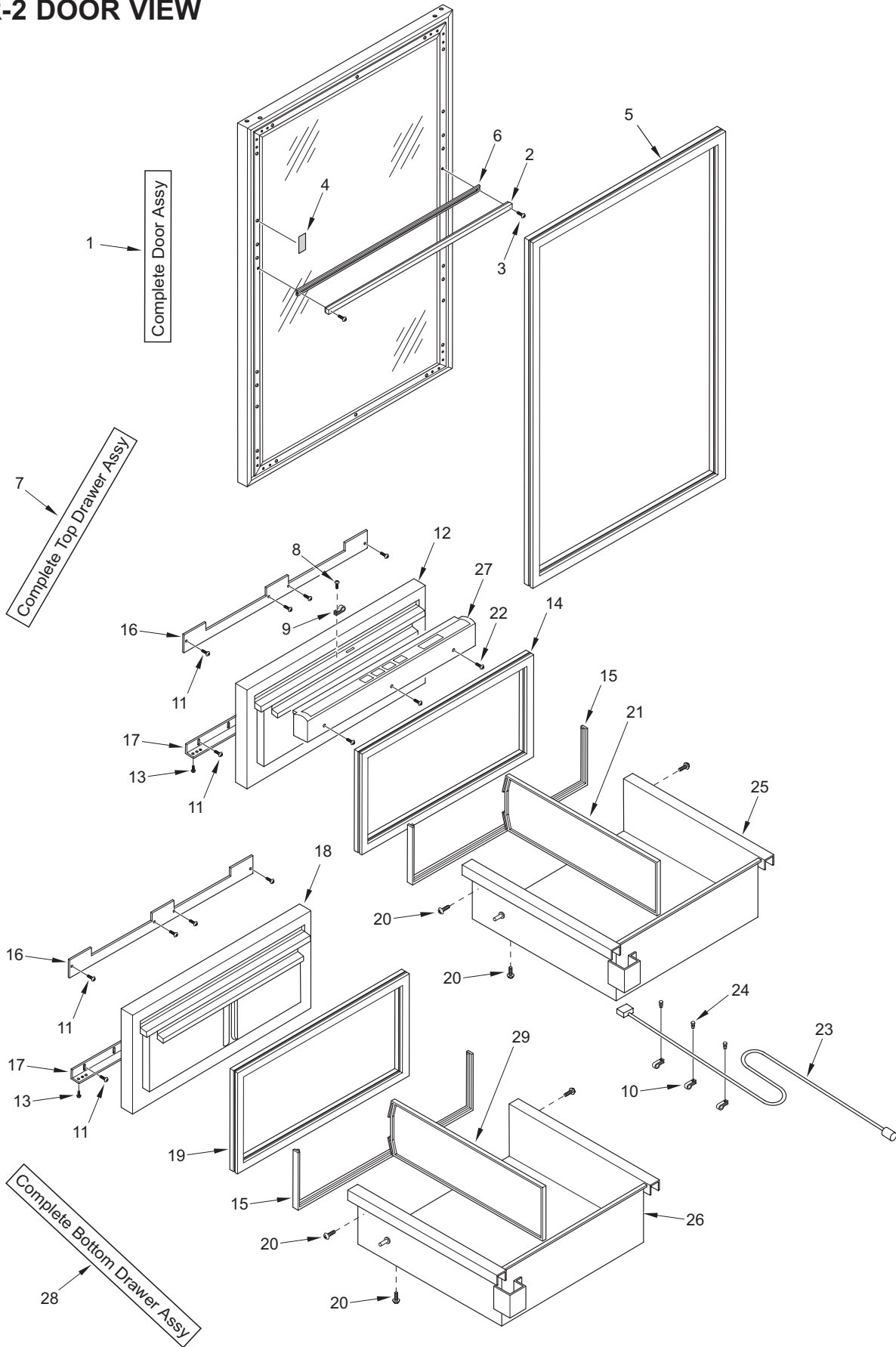
427R-2 DOOR PARTS LIST

<u>Ref #</u>	<u>Part #</u>	<u>Description</u>
1.	4132753	Door Assy, Glass RH 427R Srvc
	4132754	Door Assy, Glass LH 427R Srvc
	4134391	Door Assy, HAG 427RG RH
	4134392	Door Assy, HAG 427RG LH
	4136490	Door Assy, Solid RH 427R Srvc
	4136491	Door Assy, Solid RH 427R Srvc
NOTE: Door Assy's do NOT include hinges, handle or switch depressor.		
2.	3212030	Seal, Center
3.	6201360	Screw, #4 x 3/4" PH PAN HD TYPE A
4.	6230970	Tape, Black Poly
5.	3211970	Gasket, Door
6.	2813201	Holder, Compression Gasket 24.4
7.	4182051	Drawer Assy, Upper Bev Srvc
8.	6110280	Bolt, #10-24 x 3/4", Round Head
9.	6120190	Tube Clamp, Steel, 3/16"
10.	6120280	Clamp, Tube Nylon 3/16"
11.	6200720	Screw, #8-18 x 1/2 PH Truss HD
12.	4131730	Drawer Assy, Upr BR/BF Frnt
13.	6201500	Screw, #10X3/4 Drill PH Hex Was
14.	3212220	Gasket, Door-Drawer UPR
15.	3211560	Seal, Tub White 37-5/8"
16.	3421930	Bracket, Door Panel Mtg Dwr Top
17.	3421940	Bracket, Door Panel Mtg Dwr Bot
18.	4131740	Drawer Assy, Lwr TR/BR-Frnt
19.	3212230	Gasket, Door -Drawer LWR
20.	6200110	Screw, #10-12 x 5/8" Truss SS
21.	3601340	Divider, Top Drawer
22.	6200700	Screw, #6-20 x 5/8" PH Flat HD SS
23.	3025480	Wiring Harness, Display Flexible
24.	6180340	Snap Rivet, Plastic White 13/64
25.	3414470	Tub, Upper Ref Drw Closer Front
26.	3414070	Tub, Lwr Drawer TR
27.	4163240	Cntrl Panel Assy, 427R2 Srvc
28.	4134460	Drawer Assy, Bottom
29.	3601350	Divider, Bot Drawer

NOTE: Door panels on this model are a Sales Accessory. For part numbers of complete door panel sets or components of the door panel sets, contact the factory.



427R-2 DOOR VIEW

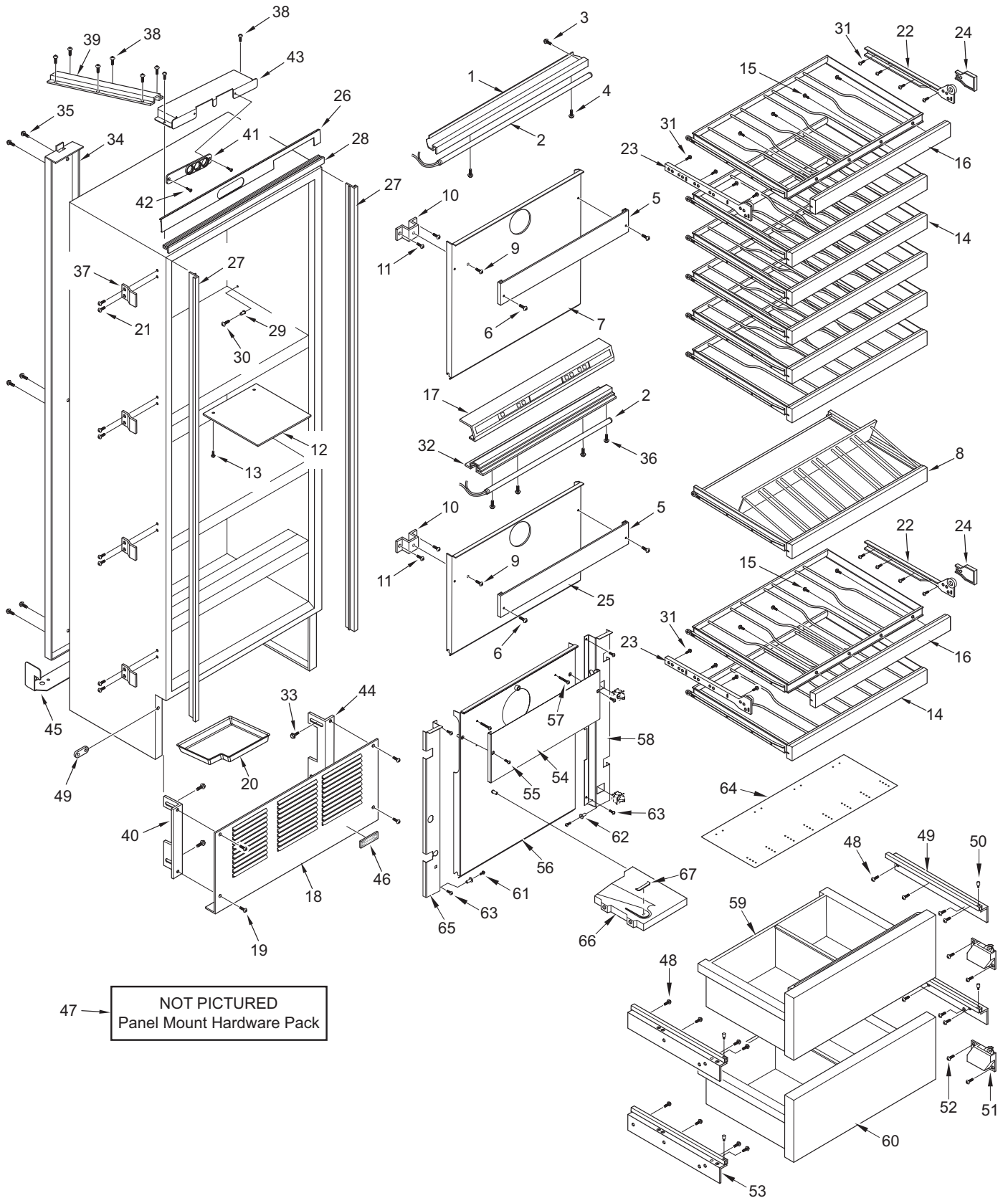


427R-2 COSMETIC PARTS LIST

<u>Ref #</u>	<u>Part #</u>	<u>Description</u>	<u>Ref #</u>	<u>Part #</u>	<u>Description</u>
1.	3511680	Ext, Upr Light	34.	0169161	Duct, Back Service
2.	3030150	Strip, Light 15 Watt	35.	6201240	Screw, #8X1-3/8" w/a #7 PH FT Hd
3.	6201270	Screw, #8-18 x 5/8" PH PN SS-Gnd	36.	6201270	Screw, #8-18 x 5/8" PH PN SS-Gnd
4.	6201310	Screw, #8 x 1-3/4" Flat PH HD	37.	3421510	Bracket, Ref to Cab
5.	0212341	Cover, Evap Fan Srvc	38.	6200010	Screw, #10-12 x 3/4" Pan HD
6.	6201010	Screw, #8-15 x 2" Pan Head	39.	0169291	Raceway, Wire Srvc
7.	4281211	Cold Plate Assy, RH Upr Srvc	40.	0167668	Kickplate Brkt, LH 427R2 Srvc
	4281201	Cold Plate Assy, LH Upr Srvc	41.	3450980	Bracket, Switch Mount
8.	4181770	Rack Assy, Display Wine	42.	6200210	Screw, #8-32 x 1/2" Flat Head
9.	6201270	Screw, #8-18 x 5/8" PH PN SS-Gnd	43.	0261711	Box, Switch RH Srvc
10.	0169391	Bracket, Grounding Srvc		0261721	Box, Switch LH Srvc
11.	6201270	Screw, #8-18 x 5/8" PH PN SS-Gnd	44.	0167667	Kickplate Brkt, RH 427R2 Srvc
12.	4152220	Panel Assy, Srvc Access	45.	0167551	Bracket, Anti Tip 27" Unit Srvc
13.	6200720	Screw, #8-18 x 1/2 PH Truss HD	46.	3580170	Nameplate
14.	4181730	Wine Rack Assy, Short	47.	6201430	Hardware Pack, Panel Mount
15.	6201420	Screw	48.	6200140	Screw, 1/4-20 x 1/2" Sems But HD
16.	3516530	Molding, Wood Wine Rack	49.	4134430	Drawer Assy, Slide-RH
17.	4203120	Ctrl Panel Assy, Service 427R	50.	3550720	Pin, White Thread
18.	3530430	Grille, Kickplate	51.	3541020	Closer, Drawer
19.	6200050	Screw, #10-12 x 1/2" Pan HD	52.	6200110	Screw, #10-12 x 5/8" Truss SS
20.	0168880	Pan, Drain	53.	4134440	Drawer Assy, Slide-LH
21.	6200720	Screw, #8-18 x 1/2 PH Truss HD	54.	0213461	Diffuser, Ref Evap Fan Srvc
22.	3413551	Slide, Cabinet RH	55.	6202010	Screw, #6-32X1/2 PH PAN HD S
23.	3413552	Slide, Cabinet LH	56.	4281721	Cold Plate Assy, Lwr Srvc 427R2
24.	3421830	Slide Spacer	57.	6201010	Screw, #8-15 x 2" Pan Head
25.	4281221	Cold Plate Assy, RH Mdl Srvc	58.	0213431	False Wall, Right Srvc
	4281231	Cold Plate Assy, LH Mdl Srvc	59.	NA	See Door View & Door Parts List
26.	3516680	Top Molding RH, 427	60.	NA	See Door View & Door Parts List
	3516690	Top Molding LH, 427	61.	6201330	Screw, #8 PH-Pan Head 1"
27.	3516010	Molding, Side	62.	3520420	Insert / Diffuser Stand-off
28.	4152070	Trim Assy, Top	63.	6201270	Screw, #8-18 x 5/8" PH PN SS-Gnd
29.	3520120	Brass Insert	64.	3754220	Door Panel Drilling Template
30.	6200130	Screw, #8-18 x 3/4" Truss HD	65.	0213441	False Wall, Left Srvc
31.	6201230	Screw, #8 x 7/8" w/a #7 PH FT Head	66.	0233490	Wire Tray
32.	3511710	Housing, Lwr Light	67.	3450780	Clip, Wire
33.	6200780	Screw, #10-24 x 1/2" PH Hex Wash		6150760	Wire Fastener



427R-2 COSMETIC VIEW

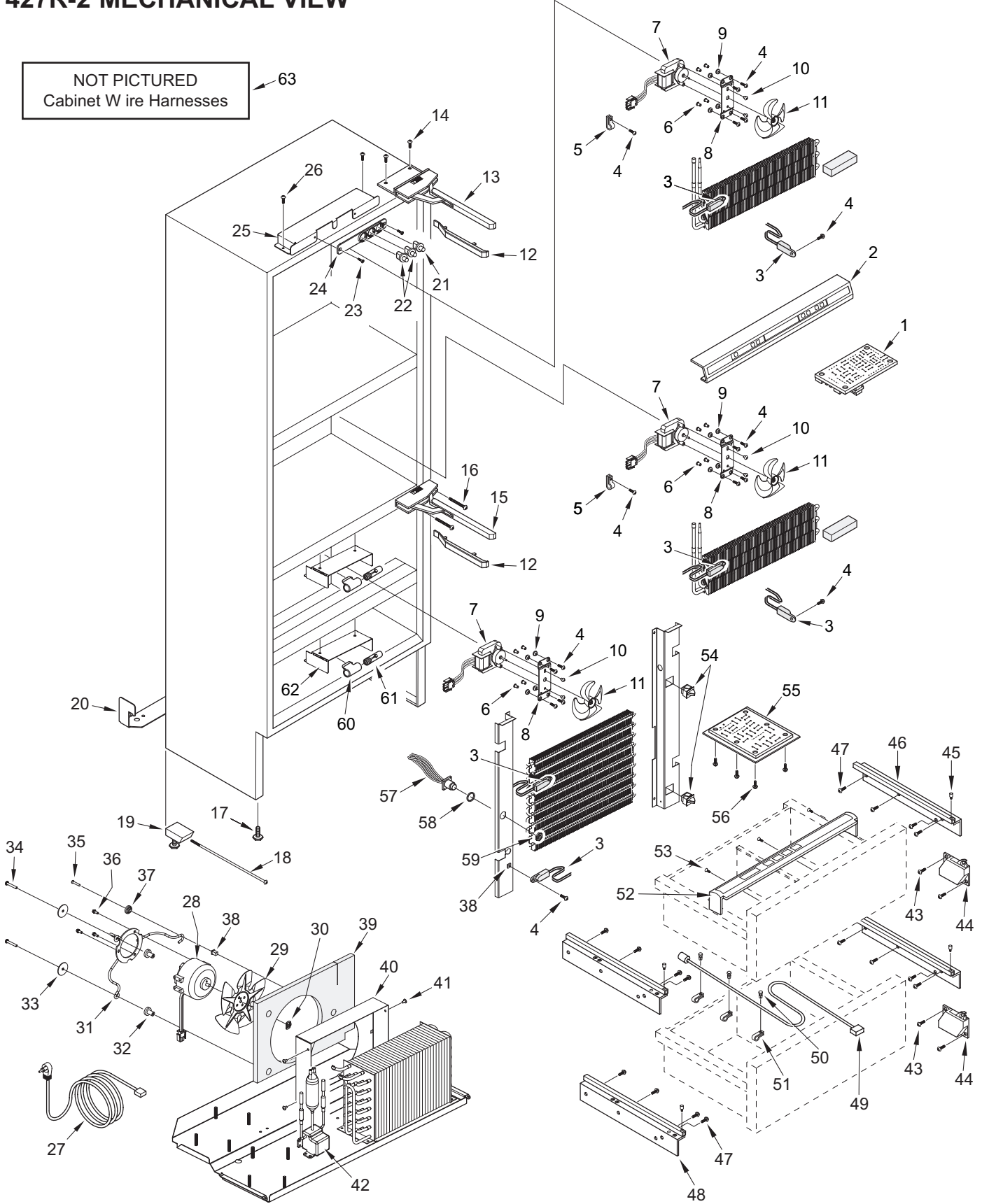


427R-2 MECHANICAL PARTS LIST

Ref #	Part #	Description	Ref #	Part #	Description
1.	4204170	Cntrl Board, Service 400	30.	6150410	Nut, 1/4-20
2.	4203120	Ctrl Panel Assy, Service 427R	31.	3150670	Bracket, Cond Fan Wine
3.	4204150	Thermistor, Asm Srvc Pkg	32.	6150330	Wellnut, #110-32 .75D X .804
4.	6201270	Screw, #8-18 x 5/8" PH PN SS-Gnd	33.	6240350	Washer, Fender .22 X 1.25 X .06
5.	6120030	Tube Clamp, Plastic 1/4"	34.	6201280	Screw, Machine #10-32 x 1-1/4" Lg
6.	3520120	Brass Insert, Fan Bracket	35.	6200490	Screw, #8-32 x 3/8" Hex Slit T25
7.	4220801	Motor Assy, Evap Fan (Incl Brkt & Blade)	36.	6201580	Screw, #8-36 X 1/2 Nylon Patch
8.	0212330	Bracket, Evap Fan Motor	37.	3420670	Screw Spacer
9.	3220250	Grommet, Rubber-#M5351	38.	6220220	Screw Grommet, 1/32 x 3/8" SQ
10.	6110270	Bolt, #10-32 x 1/4" RD HD	39.	3310400	Insul, Cond Fan Shroud
11.	3150640	Fan blade, Evaporator	40.	0263041	Shroud, Cond Fan Srvc
12.	3541050	Hinge Cover	41.	6200140	Screw, #8-15 x 3/8" Truss HD
13.	3541031	Hinge Assy, Top RH	42.	4290461	Valve Assy, Aweco Srvc
	3541032	Hinge Assy, Top LH	43.	6200030	Screw, #10-12 x 5/8", Truss CP
14.	6200780	Screw, #10-24 x 1/2" PH Hex Washer	44.	3541020	Closer, Drawer-RH
15.	3541041	Hinge Assy, MDL RH	45.	3550720	Pin, White Thread
	3541042	Hinge Assy, MDL LH	46.	4134430	Drawer Assy, Slide-RH
16.	6201140	Screw, 1/4-20 x 1/2" Sems But HD	47.	6202030	Screw, 1/4-20X1/2 But HD, Patchlk
17.	3570060	Bolt, Leve ler 3/8-16X2-1/8	48.	4134440	Drawer Assy, Slide-LH
18.	3421500	Adjusting Rod	49.	3025480	Wire Harness, Display Flexible
19.	4202000	Rear Leveler Assembly	50.	6180340	Snap Rivet, Plastic White 13/64
20.	0167551	Bracket, Anti Tip 27" Unit Srvc	51.	6120280	Clamp, Tube Nylon 3/16"
21.	3060030	Switch, Light N/C (1)	52.	4163240	Cntrl Panel Assy, 427R2 Srvc
22.	3060020	Switch, Fan N/O (2)	53.	6200700	Screw, #6-20 x 5/8" PH Flat HD SS
23.	6200210	Screw, #8-32 x 1/2" Flat Head	54.	3060140	Switch, Light
24.	3450980	Bracket, Switch Mount	55.	4163250	Ctrl Assy, 427R2 Ref Srvc
25.	0261711	Box, Switch RH Srvc	56.	6201130	Screw, #8x 1/2" PH FL HD SS
	0261721	Box, Switch LH Srvc	57.	4204020	Wire Harness, Display Replacement
26.	6200010	Screw, #10-12 x 3/4" Pan HD	58.	6160370	Gasket, Rubber 13/16 MP3
27.	3025570	Retractor Assy, Power Cord	59.	6151010	Nut, Plastic 13/16-28 UNS
28.	4200740	Motor Pkg, Cond Fan (Blade & Bracket NOT included)	60.	3050220	Socket, Light Int Base Sngl
29.	3150660	Blade, Fan Cond	61.	3030060	Bulb, Light 25W 1X2-1/2
			62.	0212932	Bracket, Light Srvc-Base
			63.	3026400	Wire Harness, Cabinet 427R Ref Section
				3026390	Wire Harness, Cabinet 427R Wine Sectn



427R-2 MECHANICAL VIEW



427R-2 SEALED SYSTEM PARTS LIST

<u>Ref #</u>	<u>Part #</u>	<u>Description</u>
1.	4203230	Comp Pkg, Srvc Wine EMI30HER (Includes Valve Assembly)
	3111370	Relay, EMB 1351400 OR 213514008 (Used w/Service EMI30HER Comp)
	3111410	Overload, (4TM734LFB) (Used w/Service EMI30HER Comp)
2.	3112212	Electrical Assy, EMT30HSC Comp (Used w/Production EMT30HSC Comp)
3.	3112500	Capacitor, 12MF (Used w/Production EMT30HSC Comp)
4.	3112270	Term Cvr Spring, DC51C (Used w/Production EMT30HSC Comp)
5.	3150010	Rubber Grommet, Small, 5/8"
6.	6160030	Spacer, 5/16 x 7/16 x 5/8"
7.	6240050	Flat Washer, 5/16"
8.	6150220	Nut, 5/16-18 Hex Zinc
9.	3014100	Suction Line Drier (Service Only)
10.	4290461	Valve Assy, Aweco Srvc (Includes Drier)
11.	3130860	Evaporator, Ref
12.	6201270	Screw, #8-18 x 5/8" PH PN SS-Gnd
13.	4251460	Heat Exchanger
14.	3130860	Evaporator, Ref
15.	6201270	Screw, #8-18 x 5/8" PH PN SS-Gnd
16.	4251470	Heat Exchanger
17.	3120350	Condenser, 427R
18.	6231490	Tape, Foam XLPE
19.	4203230	Comp Pkg, Srvc Wine EMI30HER (Includes Valve Assembly)
	3111370	Relay, EMB 1351400 OR 213514008 (Used w/Service EMI30HER Comp)
	3111410	Overload, (4TM734LFB) (Used w/Service EMI30HER Comp)
20.	3112212	Electrical Assy, EMT30HSC Comp (Used w/Production EMT30HSC Comp)
21.	3112500	Capacitor, 12MF (Used w/Production EMT30HSC Comp)
22.	3112270	Term Cvr Spring, DC51C (Used w/Production EMT30HSC Comp)
23.	3130640	Evaporator, Ref
24.	6201330	Screw, #8 PH-Pan Head 1"
25.	4251830	Heat Exchanger, Ref



427R-2 SEALED SYSTEM VIEW

